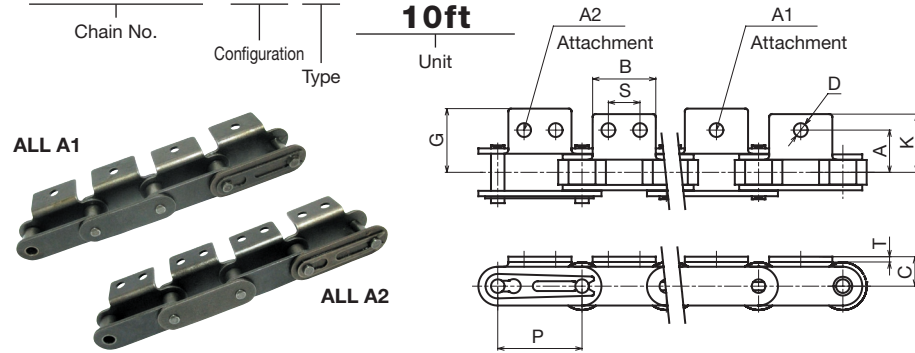


# KCM Double Pitch Roller Chains with Attachments

## A1/A2-type Attachments

### Order Product Code

**KCMC2040- ALL A1 120 Links 10ft**



Double pitch roller chains are roller chains for transmission with a double pitch. Small conveyor chains, each part of which is the same as roller chains and which are excellent in rupture strength and wear resistance. The R-type and S-type are available for rollers, and the A1/2 and K1/2 types for chains with attachments.

Chain No.	Attachment Configuration	Attachment Type	Pitch P	Common Dimensions				Attachment A1/A2				Average Tensile Strength kN (kgf)	Maximum Allowable Tension kN (kgf)
				C	B	D	T	A	K	G	S		
KCM C2040	ALL 2L	A1	25.40	9.1	19.1	3.6	1.5	12.7	17.4	19.0	9.5	17.2(1,750)	2.63( 270)
KCM C2042													
KCM C2050	ALL 2L	A2	31.75	11.1	23.8	5.2	2.0	15.9	21.9	24.0	11.9	27.9(2,850)	4.31( 440)
KCM C2052													
KCM C2060H	ALL 2L	A1	38.10	14.7	28.6	5.2	3.2	21.45	28.4	31.8	14.30	39.5(4,000)	6.28( 640)
KCM C2062H													
KCM C2080H	ALL 2L	A2	50.80	19.1	38.1	6.8	4.0	27.8	37.0	41.1	19.10	68.6(7,000)	10.69(1,090)
KCM C2082H													

**Caution** \* There are no OL for chains with attachments.

Chain No.	Roller Shape	Configuration	Type	Product Code	Applied Approx Weight g per Attachment Location	Approx. Weight kg/m	No. of Links	Standard Issue	No. in Box (Units or Items)
KCM C2040	S	ALL	A1	C2040-ALLA1T	3	0.48	120L	3m	10
		2L		C2040-2LA1T					
		--	A2	C2040-A1JL					
		ALL		C2040-ALLA2T					
KCM C2042	R	2L	A1	C2040-2LA2T	3	0.48	120L	3m	10
		--		C2040-A2JL					
		ALL	A2	C2042-ALLA1T					
		2L		C2042-2LA1T					
KCM C2050	S	ALL	A1	C2042-ALLA1T	7	0.79	96L	3m	6
		2L		C2042-2LA1T					
		--	A2	C2050-ALLA2T					
		ALL		C2050-2LA2T					
KCM C2052	R	2L	A1	C2050-2LA2T	7	1.25	96L	3m	6
		--		C2050-A2JL					
		ALL	A2	C2052-ALLA1T					
		2L		C2052-2LA1T					
KCM C2060H	S	ALL	A1	C2052-ALLA2T	16	1.43	80L	3m	5
		2L		C2052-2LA2T					
		--	A2	C2060H-ALLA1T					
		ALL		C2060H-2LA1T					
KCM C2062H	R	2L	A1	C2060H-2LA2T	16	2.11	80L	3m	3
		--		C2060H-A1JL					
		ALL	A2	C2062H-ALLA2T					
		2L		C2062H-2LA2T					
KCM C2080H	S	ALL	A1	C2062H-ALLA1T	33	2.37	60L	3m	3
		2L		C2062H-2LA1T					
		--	A2	C2080H-ALLA1T					
		ALL		C2080H-2LA1T					
KCM C2082H	R	2L	A1	C2080H-2LA2T	33	3.41	60L	3m	3
		--		C2080H-A2JL					
		ALL	A2	C2082H-ALLA1T					
		2L		C2082H-2LA1T					