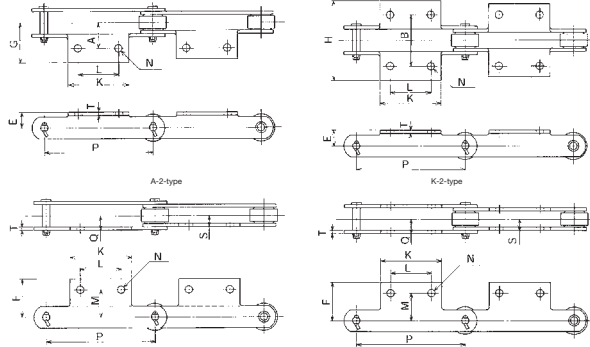


# Conveyor Chains with Attachment

## Order Product Code

### KTM5075 R/F/S 2L A2 100-Link

Chain No. Roller Type Attachment Type Chain Length  
Attachment Mounting Interval



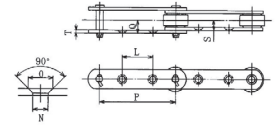
Chain No.	Pitch P	Plate T	A-2-type Dimensions					K-2-type Dimensions		SA-2, SK-2-type Dimensions				Attachment Applied Load A-2(kg)/K-2(kg)		
			K	N	L	A	E	G	(2A)B	(2G)H	M	F	S			Q
KTMS3075-R/F/S	75		55		30										0.05	0.10
KTMS3100-R/F/S	100	3.2	65		40										0.06	0.12
KTMS3125-R/F/S	125		75	10	50	30	20	46	60	92	33	47	11.3	14.9	0.06	0.12
KTMS3150-R/F/S	150		85		60										0.07	0.14
KTM5075-R/F/S	75		58		35										0.07	0.14
KTM5100-R/F/S	100	4.5	65		40										0.08	0.16
KTM5125-R/F/S	125		75	10	50	35	22	56.5	70	113	40	54	15.6	20.5	0.09	0.18
KTM5150-R/F/S	150		85		60										0.10	0.20
KTM7100-R/F/S	100		70		40										0.20	0.40
KTM7125-R/F/S	125		80		50										0.22	0.44
KTM7150-R/F/S	150	6.0	90	12	60	40	25	63	80	126	45	59	18.5	24.9	0.25	0.50
KTM7175-R/F/S	175		100		70										0.28	0.56
KTM8125-R/F/S	125	6.3	80		50										0.20	0.40
KTM8150-R/F/S	150	(6.0)	90	12	60	50	28	74	100	148	46.1	70.7	19.8 (19.5)	26.5 (26.2)	0.24	0.48
KTM10100-R/F/S/M	100		70		40										0.18	0.36
KTM10125-R/F/S/M	125	6.3	80		50										0.23	0.46
KTM10150-R/F/S/M	150	(6.0)	90	12	60	50	28	74	100	148	50	69	21.3 (21.0)	28.1 (27.8)	0.28	0.56
KTM10200-R/F/S/M	200		120		80										0.37	0.74
KTM12200-R/F/S/M	200	7.9	120		80	60	38	85	120	170	60	82.5	26.2	34.7	0.42	0.84
KTM12250-R/F/S/M	250	(8.0)	170		125										0.58	1.16
KTM17200-R/F/S/M	200		120		80										0.80	1.60
KTM17250-R/F/S/M	250	9.5	170	15	125	75	45	108	150	216	70	101.6	34.9	45.2	1.11	2.22
KTM17300-R/F/S/M	300		220		180										1.49	2.98
KTM26200-R/F/S/M	200		120		80	80	55	111.5	160	223	-	-	-	-	0.85	1.70
KTM26250-R/F/S/M	250	9.5	170	15	125										1.17	2.34

# Conveyor Chains with Attachment

## Order Product Code

### KTM5125 - R/F/S 2L G-2 100-Link

Chain No. Roller Type Attachment Type Chain Length  
Attachment Mounting Interval



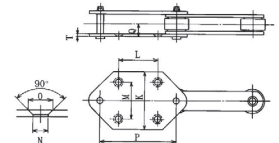
## G-2-type Part Dimensions

Chain No.	Pitch P	Plate T	G-2-type Dimensions					Limit of Mounting Bolt Length	
			N	O	L	Q	S	Outer Link	Inner Link
KTMS3075-R/S	75	3.2	8	13.5	30	14.9	11.3	26	19
KTMS3100-R/F/S	100				50				
KTM5100-R/S	100				40				
KTM5125-R/F/S	125	4.5	9.5	17	50	20.5	15.6	35	25
KTM5150-R/F/S	150				60				
KTM7100-R/S	100	6.0	11	22	35	24.9	18.5	42	28
KTM7150-R/F/S	150				60				
KTM8150-R/F/S	150	6.3 (6.0)	12	20	60	26.5 (26.2)	19.8 (19.5)	44	30
KTM10100-S	100				30				
KTM10125-R/S	125	6.3 (6.0)	11	22	40	28.1 (27.8)	21.3 (21.0)	49	35
KTM10150-R/F/S	150				60				
KTM12200-R/F/S	200	7.9 (8.0)	15	27	80	34.7	26.2	63	45
KTM12250-R/F/S	250				125				
KTM17200-R/F/S	200				80				
KTM17250-R/F/S	250	9.5	15	27	110	45.2	34.9	80	60
KTM17300-R/F/S	300				150				
KTM26300-R/F/S	300	9.5	15	27	140	48.1	37.8	86	64
KTM26450-R/F/S	450				220				
KTE5600-R/F/S	152.40	6.3 (6.0)	11	22	60	28.1 (27.8)	21.3 (21.0)	48	34
KTE12600-R/F/S	152.40	7.9 (8.0)	15	27	50	34.7	26.2	62	44

## Order Product Code

### KTM5150 - R/F/S 2L G-4 100-Link

Chain No. Roller Type Attachment Type Chain Length  
Attachment Mounting Interval



## G-4-type Part Dimensions

Chain No.	Pitch P	Plate T	G-4-type Dimensions					Applied Load per Piece (kg)	
			N	O	L	M	K		Q
KTM5100-S	100				50	50	80	20.5	0.31
KTM5150-R/F/S	150	4.5	9.5	17	75	70	100		0.43
KTM10150-R/F/S	150	6.3 (6.0)	11	22	75	70	110	28.1 (27.8)	0.61
KTM12200-R/F/S	200	7.9 (8.0)	15	27	100	70	110	34.7	0.82
KTM12250-R/F/S	250				140	100	150		1.45
KTM17200-R/F/S	200				100	80	127		1.12
KTM17250-R/F/S	250	9.5	15	27	140	100	150	45.2	1.69
KTM17300-R/F/S	300				180	120	170		2.39
KTM26300-R/F/S	300				180	120	170		2.24
KTM26450-R/F/S	450	9.5	15	27	250	140	190	48.1	3.98
KTE5600-R/F/S	152.40	6.3 (6.0)	11	22	75	70	110	28.1 (27.8)	0.50
KTE12600-R/F/S	152.40	7.9 (8.0)	15	27	75	70	110	34.7	0.53