

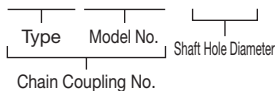
# FBN/FBK Chain Couplings



## Order No. Example

**FBN 4012 D20** (for New JIS Key)

**FBK 4012 D20** (for Old JIS Key)



FBN5014D20  
(inner diameter D20)

FBN5014D30  
(inner diameter D30)



Body Dimensions							Chain Coupling No.		φD <sup>H7</sup>	¥
L	BL	S	BD	O	a	C	Type	Model No.		
64.8	29.8	5.2	26.5	45	16	10.2	FBN New JIS Key Specifi- cations Body Side	KC3012	14 16	
79.4	36.0	7.4	36.0	62	17	14.4		KC4012	14 15 16 17 18 19 20 22	
79.4	36.0	7.4	45.0	69	17	14.4		KC4014	17 18 19 20 22 24 25 28 30	
87.4	40.0	7.4	51.0	77	23	14.4		KC4016	19 20 22 24 25 28 30 32	
99.7	45.0	9.7	56.0	86	24	18.1		KC5014	20 22 24 25 28 30 32 35	
99.7	45.0	9.7	63.0	96	24	18.1		KC5016	22 24 25 28 30 32 35 38 40	
99.7	45.0	9.7	73.0	106	24	18.1		KC5018	30 32 35 38	
123.5	56.0	11.5	88.0	127	28	22.8		KC6018	40 42 45	
123.5	56.0	11.5	115.0	152	28	22.8		KC6022	48 50 55	
141.2	63.0	15.2	115.0	170	30	29.3		KC8018	32 35 38 40 42 45 48 50	
157.2	71.0	15.2	143.0	202	30	29.3	KC8022	40 42 45 48 50 55		
64.8	29.8	5.2	26.5	45	16	10.2	FBK Old JIS key Specifi- cations Body Side	KC3012	14 15	
79.4	36.0	7.4	36.0	62	17	14.4		KC4012	15 16 18 19 20 22	
79.4	36.0	7.4	45.0	69	17	14.4		KC4014	19 20 22 24 25 28 30	
87.4	40.0	7.4	51.0	77	23	14.4		KC4016	22 24 25 28 30 32	
99.7	45.0	9.7	56.0	86	24	18.1		KC5014	25 28 30 32 35	
99.7	45.0	9.7	63.0	96	24	18.1		KC5016	25 28 30 32 35 38 40	
99.7	45.0	9.7	73.0	106	24	18.1		KC5018	30 38 40 42 45	
123.5	56.0	11.5	88.0	127	28	22.8		KC6018	40 42 45 48 50 55	
123.5	56.0	11.5	115.0	152	28	22.8		KC6022	45 48 50 55	



Order Method

Chain Coupling No. Shaft Hole Diameter Combinations and Quantity



Postage

Same-day shipping



Video Guide

You can see the product on video.



Guide

\* Since we also manufacture sizes other than those in the catalog upon request, please contact our company's sales office for details.

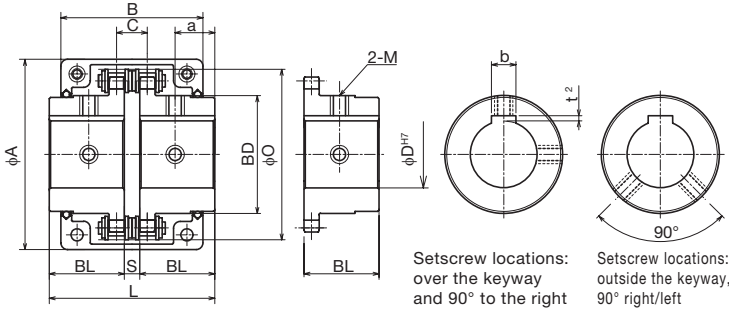


Precautions

\* A dedicated chain and case are required for use.

\* Please refer to P378 to P379 if you would like to order a set.

# FBN/FBK Finished Bore Chain Coupling New/Old JIS Keyway Specification



(The square in the  $\phi D$  marks the setscrew position)

$\phi D^{H7}$	¥	Weight kg	Chain Coupling No.	
			Model No.	Type
		0.1	KC3012	<b>FBN</b> New JIS Key Specifica- tions Body Side
		0.2	KC4012	
		0.3	KC4014	
		0.5	KC4016	
		0.7	KC5014	
		1.0	KC5016	
40 42 45		1.2	KC5018	
48 50 55		2.4	KC6018	
60 65		4.3	KC6022	
55 60 65 70 75		5.3	KC8018	
60 65 70 75 80		9.1	KC8022	
		0.1	KC3012	<b>FBK</b> Old JIS key Specifica- tions Body Side
		0.2	KC4012	
		0.3	KC4014	
		0.5	KC4016	
		0.7	KC5014	
		1.0	KC5016	
		1.2	KC5018	
		2.4	KC6018	
60 65		4.3	KC6022	

### FBN Shaft Hole Machined Specification (for New JIS Key)

Shaft Hole Diameter D	Keyway b×t <sup>2</sup>	Set Screw M
14 - 17	5 x 2.3	6
18 - 22	6 x 2.8	
24 - 30	8 x 3.3	8
32 - 38	10 x 3.3	
40 - 42	12 x 3.3	10
45 - 50	14 x 3.8	
55	16 x 4.3	12
60 - 65	18 x 4.4	
70 - 75	20 x 4.9	16
80	22 x 5.4	

■ KC3012  $\phi 14$  to  $\phi 16$  is the M5 specification

### FBK Shaft Hole Machined Specification (for Old JIS Key)

Shaft Hole Diameter D	Keyway b×t <sup>2</sup>	Set Screw M
14 - 20	5×2	6
22 - 30	7×3	8
32 - 40	10 x 3.5	
42 - 50	12 x 3.5	10
55 - 60	15×5	12
65 - 70	18×6	16

■ KC3012  $\phi 14$  to  $\phi 16$  is the M5 specification

For the lubricant agent, please use the dedicated KANA standard coupling grease.

A1 Multi-EP Grease No.2

MBSG04  
Internal Capacity  
400g

MBSG25  
Internal Capacity  
2.5kg/16kg

▶▶ See P345

