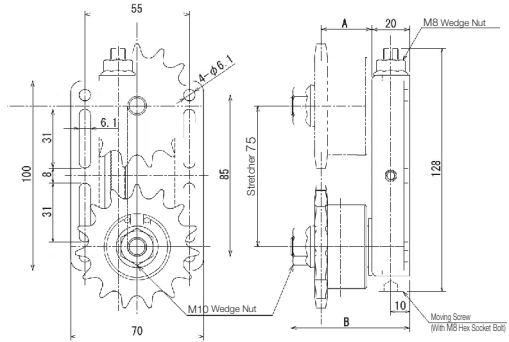


Straight Tension

● Order Product Code

TSBW40B17D17

Straight Tension No.



KANA Straight Tension has adjustable tension up to a maximum of 75 mm for loosening M10 and M8 wedge nuts, turning moving screws (with M8 hex sockets) and tightening and fixing loose wedge nuts. By removing the attached sprocket wheel and mounting a pulley, it can also be used as a tensioner, except for belt tension and roller chains.

We recommend the use of the Straight Tension to increase transmission efficiency and maintain the service life of the chain.

Straight Tension No.	Applicable Roller Chains	ID Adapters Part No.	Idler Sprockets			Weight (kg)
			Part No.	No. of Teeth	A B	
TSBW35B16D12	JIS35	AD6001	WID35B16D12	16	24 58	0.52
TSBW35B18D15	JIS35	AD6202	WID35B18D15	18	30 68	0.62
TSBW35B21D17	JIS35	AD6203	WID35B21D17	21	33 68	0.72
TSBW35B25D20	JIS35	AD6204	WID35B25D20	25	36 70	0.92
TSBW40B13D12	JIS40	AD6001	WID40B13D12	13	22 58	0.56
TSBW40B15D15	JIS40	AD6202	WID40B15D15	15	29 68	0.67
TSBW40B17D17	JIS40	AD6203	WID40B17D17	17	32 68	0.79
TSBW40B19D20	JIS40	AD6204	WID40B19D20	19	34 70	1.05
TSBW50B12D12	JIS50	AD6201	WID50B12D12	12	25 63	0.65
TSBW50B13D15	JIS50	AD6202	WID50B13D15	13	28 68	0.7
TSBW50B15D17	JIS50	AD6203	WID50B15D17	15	31 68	0.86
TSBW50B17D20	JIS50	AD6204	WID50B17D20	17	33 70	1.12
TSBW60B11D15	JIS60	AD6202	WID60B11D15	11	26 68	0.76
TSBW60B13D17	JIS60	AD6203	WID60B13D17	13	30 68	0.96
TSBW60B14D20	JIS60	AD6204	WID60B14D20	14	32 70	1.16
TSBW80B9D15	JIS80	AD6202	WID80B9D15	9	25 68	0.86
TSBW80B10D17	JIS80	AD6203	WID80B10D17	10	28 68	1.02
TSBW80B11D20	JIS80	AD6204	WID80B11D20	11	30 70	1.26