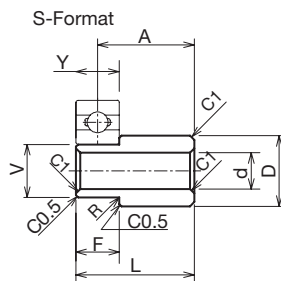


Idler Pins (S)

Order No. Example **IDP6000S A12 B30**

Pin No. Selection A Selection B



Used for attaching the idler sprocket.

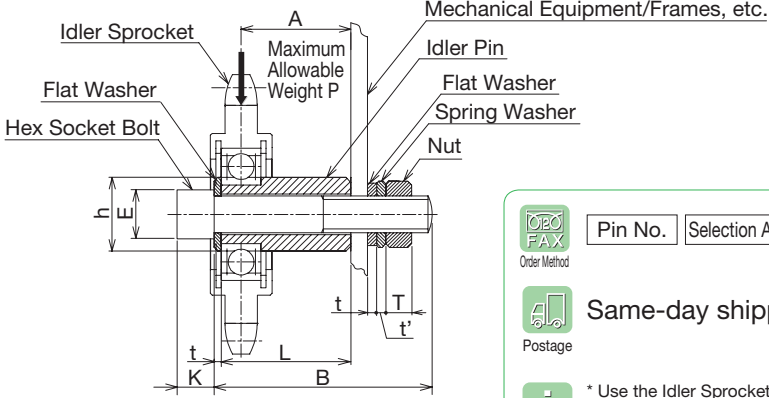
You can choose from a wide range of sizes best suited to the mounting position.

Allows a space-saving design with nothing wasted.

S Black Oxide Finish

Pin No.	Selection A	Selection B	Compatible Bearings	Max. Permissible Load (N/kgf)	Weight (g)	¥	Applicable Idler Sprockets
IDP	6000S	A12	30 35 40	6000ZZ (width Y=8)	323 {33}		ID35C16D10 ID40C13D10
		A14	35 40 45				
		A16	40 45 50				
		A18	40 45 50				
		A20	40 45 50				
	6001S	A14	35 40 45	6001ZZ (width Y=8)	548 {56}		ID35C16D12 ID40C13D12
		A16	40 45 50				
		A18	40 45 50				
		A20	40 45 50				
		A22	45 50 55				
	6201S	A14	35 40 45	6201ZZ (width Y=10)	548 {56}		ID50C12D12 ID60C11D12
		A16	40 45 50				
		A18	40 45 50				
		A20	45 50 55				
		A22	45 50 55				
	6202S	A16	45 50 55	6202ZZ (width Y=11)	999 {102}		ID35C18D15 ID40C15D15 ID50C13D15 ID60C11D15 ID80C9D15
		A18	45 50 55				
		A20	45 50 55				
		A22	50 55 60				
		A24	50 55 60				
6203S	A16	45 50 55	6203ZZ (width Y=12)	1244 {127}		ID35C21D17 ID40C17D17 ID50C15D17 ID60C13D17 ID80C10D17	
	A18	45 50 55					
	A20	50 55 60					
	A22	50 55 60					
	A24	50 55 60					
6204S	A20	55 60 65	6204ZZ (width Y=14)	1989 {203}		ID35C25D20 ID40C19D20 ID50C17D20 ID60C14D20 ID80C11D20	
	A22	55 60 65					
	A24	60 65 70					
	A26	60 65 70					
	A28	65 70 75					
	A30	65 70 75					

For IDP(S) Single



and Quantity

Same-day shipping

Postage

* Use the Idler Sprocket.

 P104

	Pin No.	Selection A	Selection B	Pin Body Size							Bolt Washer Size								
				L	F	V	D	d	R Max	M	K	E	T	t	t'	h			
IDP	6000S	A12	30 35 40	15.8															
		A14	35 40 45	17.8															
		A16	B	35 40 45	19.8	7.8	10	16	6.2	0.3	M 6	6	10	5	1.6	1.5	12.5		
		A18		40 45 50	21.8														
		A20		40 45 50	23.8														
	6001S	A14		35 40 45	17.8														
		A16		40 45 50	19.8														
		A18	B	40 45 50	21.8	7.8	12	16	8.2	0.3	M 8	8	13	6.5	1.6	2	17		
		A20		40 45 50	23.8														
		A22		45 50 55	25.8														
	6201S	A14		35 40 45	18.8														
		A16		40 45 50	20.8														
		A18	B	40 45 50	22.8	9.8	12	16	8.2	0.6	M 8	8	13	6.5	1.6	2	17		
		A20		45 50 55	24.8														
		A22		45 50 55	26.8														
	6202S	A16		45 50 55	21.3														
		A18		45 50 55	23.3														
		A20	B	45 50 55	25.3	10.8	15	20	10.5	0.6	M10	10	16	8	2	2.5	21		
		A22		50 55 60	27.3														
		A24		50 55 60	29.3														
6203S	A16		45 50 55	21.8															
	A18		45 50 55	23.8															
	A20	B	50 55 60	25.8	11.8	17	25	10.5	0.6	M10	10	16	8	2	2.5	21			
	A22		50 55 60	27.8															
	A24		50 55 60	29.8															
6204S	A20		55 60 65	26.8															
	A22		55 60 65	28.8															
	A24		60 65 70	30.8															
	A26	B	60 65 70	32.8	13.8	20	25	14.5	1	M14	14	21	11	2.5	3.5	28			
	A28		65 70 75	34.8															
	A30		65 70 75	36.8															

Idler Pins (W)

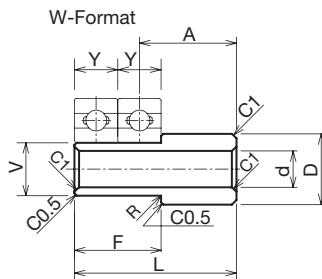
Order No. Example

IDP6000W A12 B40

Pin No.

Selection A

Selection B



Used for attaching the idler sprocket.

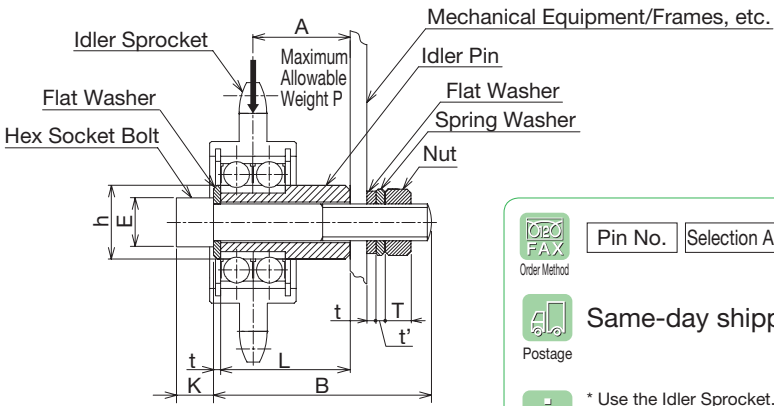
You can choose from a wide range of sizes best suited to the mounting position.

Allows a space-saving design with nothing wasted.

 Black Oxide Finish

Pin No.	Selection A	Selection B	Compatible Bearings	Max. Permissible Load (N/kgf)	Weight (g)	¥	Applicable Idler Sprockets
IDP	6000W	A12	40 45 50	6000ZZ (width Y=8)	274 {28}	29	WID35C16D10 WID40C13D10
		A14	40 45 50				
		A16	45 50 55				
		A18	45 50 55				
		A20	50 55 60				
	6001W	A14	45 50 55	6001ZZ (width Y=8)	441 {45}	29	WID35C16D12 WID40C13D12
		A16	45 50 55				
		A18	50 55 60				
		A20	50 55 60				
		A22	50 55 60				
	6201W	A14	45 50 55	6201ZZ (width Y=10)	441 {45}	29	WID50C12D12 WID60C11D12
		A16	50 55 60				
		A18	50 55 60				
		A20	55 60 65				
		A22	55 60 65				
	6202W	A16	55 60 65	6202ZZ (width Y=11)	803 {82}	51	WID35C18D15 WID40C15D15 WID50C13D15 WID60C11D15 WID80C9D15
		A18	55 60 65				
		A20	60 65 70				
		A22	60 65 70				
		A24	65 70 75				
6203W	A16	55 60 65	6203ZZ (width Y=12)	990 {101}	91	WID35C21D17 WID40C17D17 WID50C15D17 WID60C13D17 WID80C10D17	
	A18	60 65 70					
	A20	60 65 70					
	A22	60 65 70					
	A24	65 70 75					
6204W	A20	70 75 80	6204ZZ (width Y=14)	1617 {165}	92	WID35C25D20 WID40C19D20 WID50C17D20 WID60C14D20 WID80C11D20	
	A22	70 75 80					
	A24	75 80 85					
	A26	75 80					
	A26	85					
	A28	75 80 85					
	A30	80 85 90					

For IDP(W) Double



* Image of product

OEO FAX
Order Method

and Quantity

Postage

Same-day shipping

Guide

* Use the Idler Sprocket.
▶ P106 and P107

	Pin No.	Selection A	Selection B	Pin Body Size							Bolt Washer Size								
				L	F	V	D	d	R Max	M	K	E	T	t	t'	h			
IDP	6000W	A12	40 45 50	23.8															
		A14	40 45 50	25.8															
		A16	B	45 50 55	27.8	15.8	10	16	6.2	0.3	M 6	6	10	5	1.6	1.5	12.5		
		A18		45 50 55	29.8														
		A20		50 55 60	31.8														
	6001W	A14		45 50 55	25.8														
		A16		45 50 55	27.8														
		A18	B	50 55 60	29.8	15.8	12	16	8.2	0.3	M 8	8	13	6.5	1.6	2	17		
		A20		50 55 60	31.8														
		A22		50 55 60	33.8														
	6201W	A14		45 50 55	28.8														
		A16		50 55 60	30.8														
		A18	B	50 55 60	32.8	19.8	12	16	8.2	0.6	M 8	8	13	6.5	1.6	2	17		
		A20		55 60 65	34.8														
		A22		55 60 65	36.8														
	6202W	A16		55 60 65	32.3														
		A18		55 60 65	34.3														
		A20	B	60 65 70	36.3	21.8	15	20	10.5	0.6	M10	10	16	8	2	2.5	21		
		A22		60 65 70	38.3														
		A24		65 70 75	40.3														
6203W	A16		55 60 65	33.8															
	A18		60 65 70	35.8															
	A20	B	60 65 70	37.8	23.8	17	25	10.5	0.6	M10	10	16	8	2	2.5	21			
	A22		60 65 70	39.8															
	A24		65 70 75	41.8															
6204W	A20		70 75 80	40.8															
	A22		70 75 80	42.8															
	A24		75 80 85	44.8															
	A26	B	75 80	46.8	27.8	20	25	14.5	1	M14	14	21	11	2.5	3.5	28			
	A26		85	46.8															
	A28		75 80 85	48.8															
	A30		80 85 90	50.8															