

Spann Box <SB0/SB1>

● Order No. Example

SB0 35 1 L

Spann Box No. | No. of Rows
Product Name No. Load Categories



SB0



SB1

Special resin (material "S") more wear resistant and durable than iron is used on Spann Box's chain guide. Spann Box is maintenance free and automatically maintains tension at the appropriate level at all times to increase chain drive performance and improve service life.

Material	
Chain Guide	UHMW Polyethylene Green
Body	Synthetic Resin (SB0) Steel (SB1)

Spann Box No.	Product Name No.	Chain No. of Rows	Load Categories L: Light-duty H: Heavy-duty	Chain No.	¥
SB0 (semi-circular type)	35	1	L	35	
	40		H	40/50	
	60		H	60	
SB1 (arc type)	40	1	L	40	
		2	H		
	50	1	L	50/60	
		2	H	50	
	60	2	L	60	
			H		
	80	1	L	80/100	
			H	80	

◇ SB1 Mounting Fixture

● Order No. Example

SB1-BL

Mounting Fixture No.



Mounting Fixture No.	¥
SB1-BL	
SB1 Mounting Fixture	



* For details on load categories (tension) and conveyor dimensions, see P129.

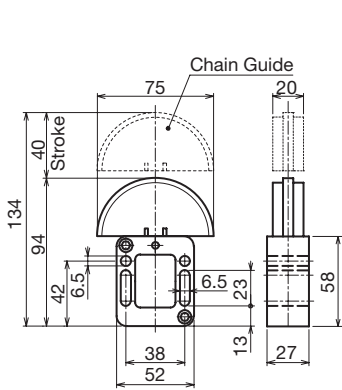


You can see the product on video.

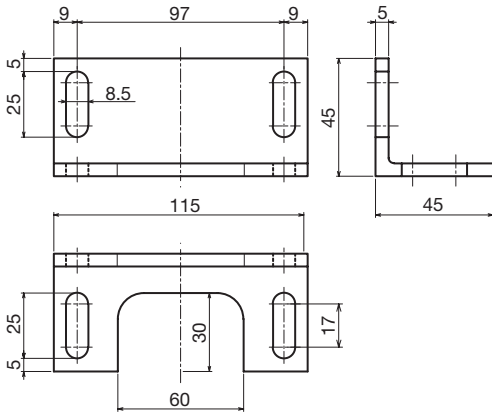
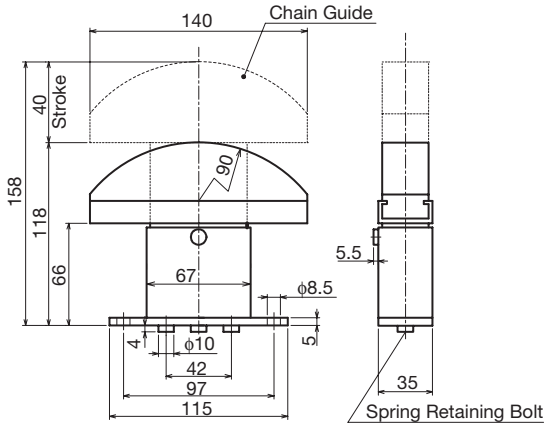


SB0/SB1

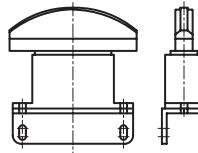
SB0-Type Crescent Type



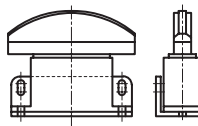
SB1-Type Arc Type



Mounting Examples A



Mounting Examples B



Order Method

Spann Box No. Product Name No. No. of Rows Load Categories and Quantity

Mounting Fixture No. and Quantity



Postage

Same-day shipping



Guide

- * Spring Retaining Bolt
- * Set the tension load by opening the spring.
- * Provide space below so that the bolt can be tightened by a flathead screwdriver.