

Spann Box <SB2>

● Order No. Example

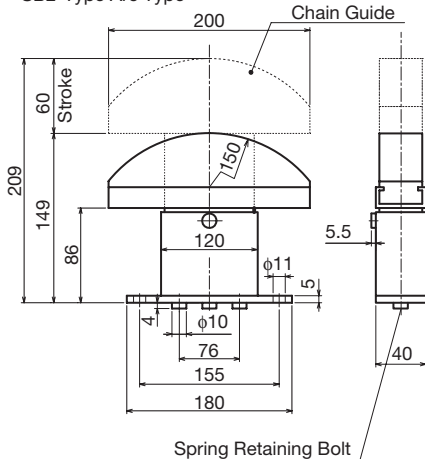
SB2 80 1 L

Spann Box No. No. of Rows
Product Name No. Load Categories



SB2

SB2-Type Arc Type



Material

Chain Guide	UHMW Polyethylene Green
Body	Steel

The Spann Box SB2-type features a higher chain guide contact pressure for high-load transmission of No.80 and No.100 chains.

Spann Box No.	Product Name No.	Chain No. of Rows	Load Categories L: Light-duty H: Heavy-duty	Chain No.	¥
SB2 (arc type)	80	1	L H	80	
	100	1	L H	100	



Order Method

Spann Box No. Product Name No. No. of Rows Load Categories and Quantity




Postage

Same-day shipping



Guide

- * Spring Retaining Bolt
- * Set the tension load by opening the spring.
- Provide space below so that the bolt can be tightened by a flathead screwdriver.
- * For details on load categories (tension) and conveyor dimensions,  see P129.



Video Guide

You can see the product on video.



SB2

◇ Tension Load List (kgf)

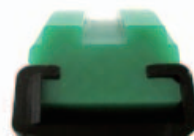
Model Name		Spann Box					
Body Model No.		SB0		SB1		SB2	
Tension Stroke		40mm		40mm		60mm	
Load Categories		For light-duty	For heavy-duty	For light-duty	For heavy-duty	For light-duty	For heavy-duty
No. of open springs	1 pc.	3.8 to 6.5	6.5 to 14	3.8 to 6.5	6.5 to 14	9.5 to 15.5	12.5 to 30
	2 pcs.	-	-	7.5 to 13	13 to 28	19 to 31	25 to 60
	3 pcs.	-	-	11 to 20	19.5 to 42	28 to 47	38 to 90

* The SB0 type has a built-in spring and is open at all times.

* The SB1 and SB2 types have three built-in springs, and the tensions can be set according to the table above by the number of open springs.



**1 row
Convex Type**



2 rows

◇ Chain Guide Conveyor Dimensions

Chain Guide Conveyor Shape		1 row	2 rows		1 row
		Convex Type			Convex Type
Model No.		SB0	SB1		SB2
No. of Rows		1 row	1 row	2 rows	1 row
Chain No. 35	A	4	-	-	-
	B	20	-	-	-
	C	2.6	-	-	-
Chain No. 40	A	7	6.3	5.8	-
	B	20	20	20	-
	C	2.6	2.6	2.6	-
Chain No. 50	A	8	8	7.0	-
	B	20	20	25	-
	C	2.7	2.7	2.7	-
Chain No. 60	A	11	11	8.8	-
	B	20	20	30	-
	C	3.5	3.5	3.5	-
Chain No. 80	A	-	14	12.0	13.5
	B	-	20	40	25
	C	-	4.8	4.8	4.8
Chain No. 100	A	-	14	-	16
	B	-	20	-	35
	C	-	6.3	-	6.3